

# PRODUCT INFORMATION PACKET

**marathon**<sup>®</sup>  
Motors

Model No: 200LTFC6538  
Catalog No: R346A  
40,1800,TEFC,200L,3/60/230/460  
TEFC



Regal and Marathon are trademarks of Regal Beloit Corporation or one of its affiliated companies.  
©2018 Regal Beloit Corporation, All Rights Reserved. MC017097E

**REGAL**<sup>®</sup>



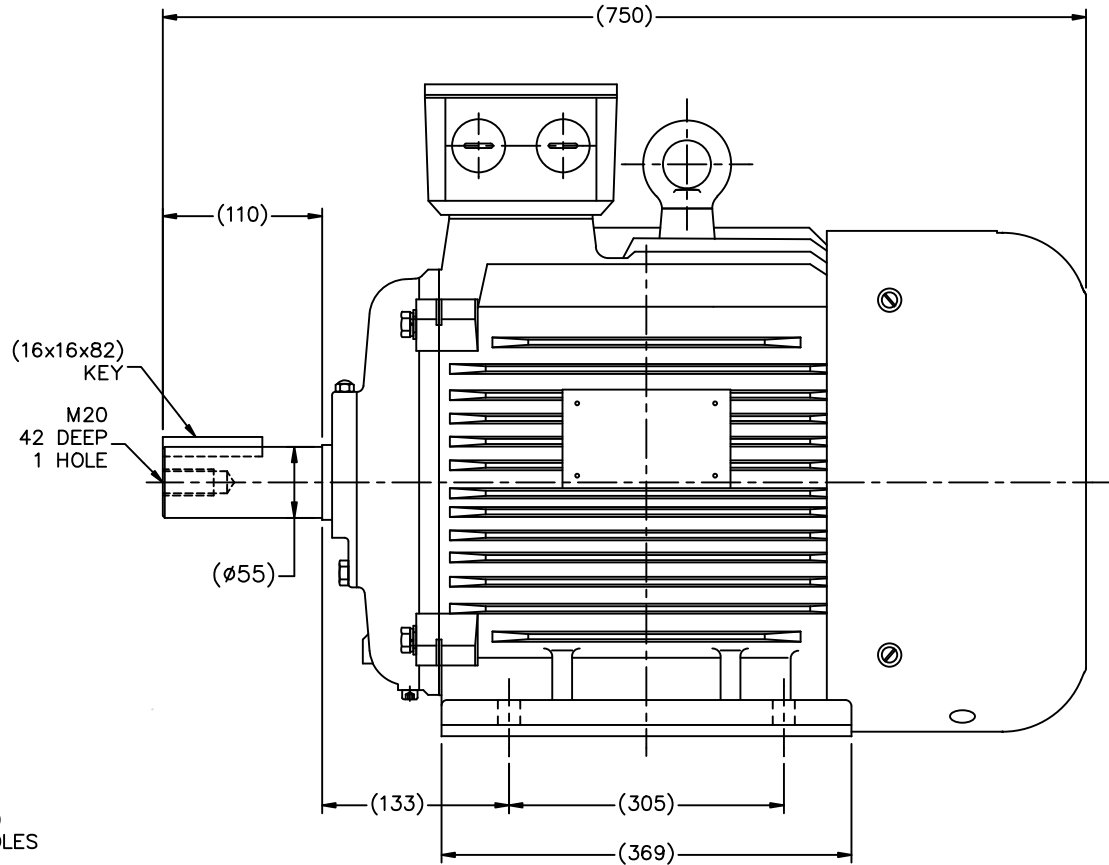
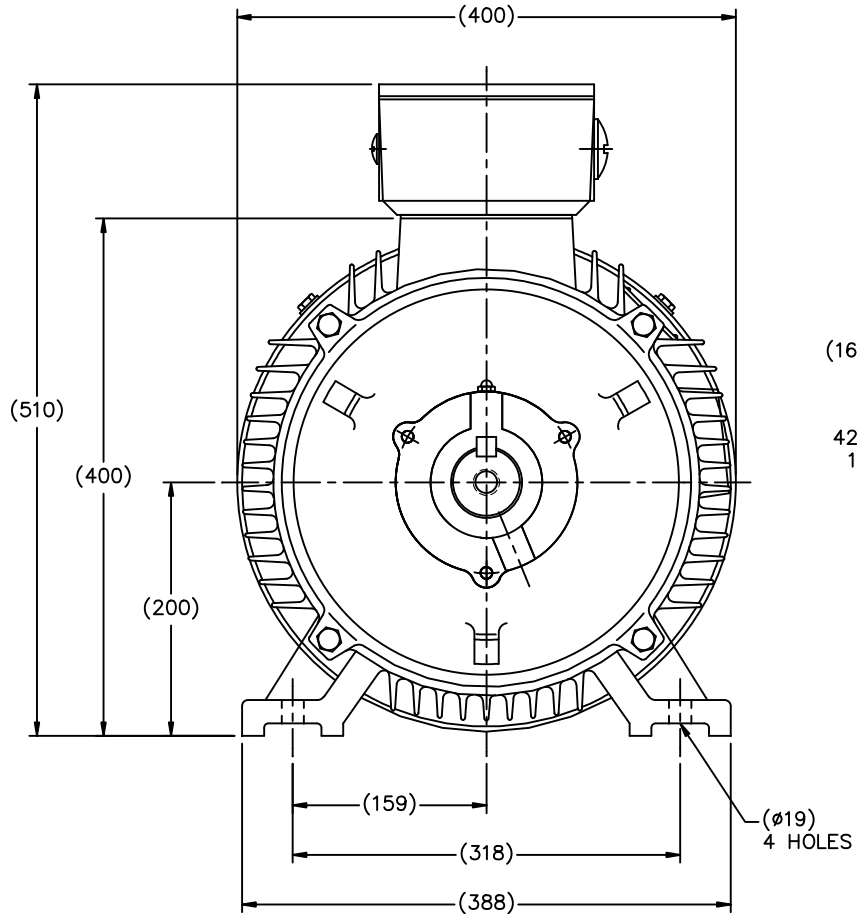
### Nameplate Specifications

Output HP	<b>40 Hp</b>	Output KW	<b>30.0 kW</b>
Frequency	<b>60 Hz</b>	Voltage	<b>230/460 V</b>
Current	<b>92.0/46.0 A</b>	Speed	<b>1780 rpm</b>
Service Factor	<b>1.15</b>	Phase	<b>3</b>
Efficiency	<b>94.1 %</b>	Duty	<b>Continuous</b>
Insulation Class	<b>F</b>	Design Code	<b>B</b>
KVA Code	<b>G</b>	Frame	<b>200L</b>
Enclosure	<b>Totally Enclosed Fan Cooled</b>	Overload Protector	<b>No</b>
Ambient Temperature	<b>40 °C</b>	Drive End Bearing Size	<b>6312</b>
Opp Drive End Bearing Size	<b>6212</b>	UL	<b>No</b>
CSA	<b>Y</b>	CE	<b>Y</b>
IP Code	<b>55</b>		

### Technical Specifications

Electrical Type	<b>Squirrel Cage Inverter Rated</b>	Starting Method	<b>Part Wdg Start &amp; Wye Start Delta Run Or Inverter</b>
Poles	<b>4</b>	Rotation	<b>Reversible</b>
Mounting	<b>Rigid base</b>	Motor Orientation	<b>Horizontal</b>
Drive End Bearing	<b>Ball</b>	Opp Drive End Bearing	<b>Ball</b>
Frame Material	<b>Cast Iron</b>	Shaft Type	<b>IEC</b>
Overall Length	<b>29.52 in</b>	Shaft Diameter	<b>2.166 in</b>
Shaft Extension	<b>4.31 in</b>	Assembly/Box Mounting	<b>F3</b>
Outline Drawing	<b>B-SS622240</b>	Connection Diagram	<b>004172.03ME</b>

This is an uncontrolled document once printed or downloaded and is subject to change without notice. Date Created: 07/02/2018



(MAY NOT BE DRAWN TO SCALE)

(DIMENSIONS ARE IN MILLIMETERS)

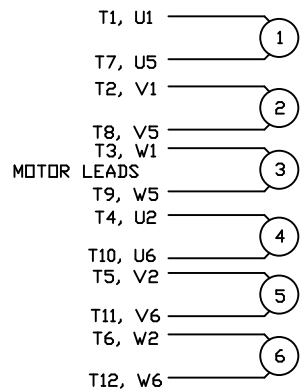
DF200L	193327.60
	193330.60
	193328.60
	193323.60
	193326.60
FRAME	PART #

		TOLERANCES UNLESS SPECIFIED			DRAWN MSG 11-17-2010				
		DEC.	METRIC		CHK MJS 11-18-2010				
		.X	±2.5	APPD SB 11-18-2010	SCALE 1=4				
		.XX	±.76	TITLE OUTLINE - IEC PREMIUM					
		.XXX	±.127	DF200L-2, 4, 6					
		.XXXX	±.0127	MAT'L	REF				
NO.	REVISION	BY & DATE	CHK	ANG	FINISH	PREV			
THIS DRAWING IN DESIGN AND DETAIL IS OUR PROPERTY AND MUST NOT BE USED EXCEPT IN CONNECTION WITH OUR WORK ALL RIGHTS OF DESIGN AND INVENTION ARE RESERVED THIS IS AN ELECTRONICALLY GENERATED DOCUMENT - DO NOT SCALE THIS PRINT			RFP	11-18-2010	CAD FILE SS622240	SIZE B	DRAWING NO. SS622240	PAGE OF	REV.
			DIST						

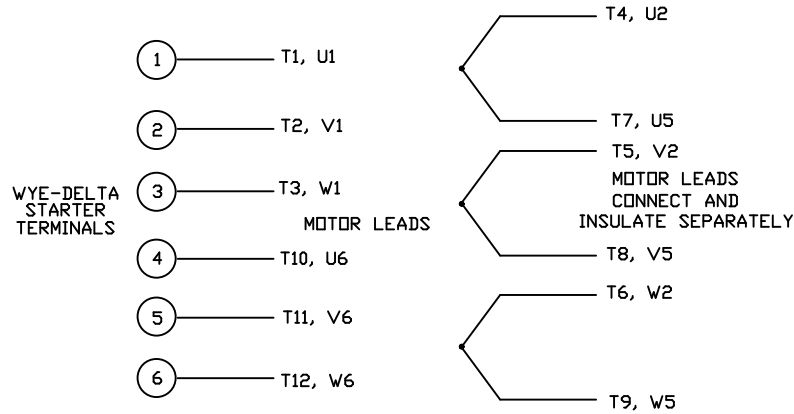
WYE - DELTA STARTING USEABLE ON 2,4 AND 6 POLE MOTORS.

LOW VOLTAGE CONNECTION

HIGH VOLTAGE CONNECTION



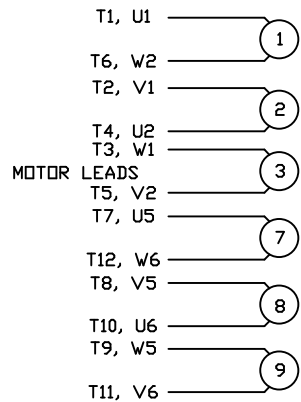
WYE-DELTA STARTER TERMINALS



MOTOR LEADS CONNECT AND INSULATE SEPARATELY

REFER TO THE WYE-DELTA STARTER CONNECTION INSTRUCTIONS FOR PROPER CONNECTION OF POWER LINES TO STARTER.

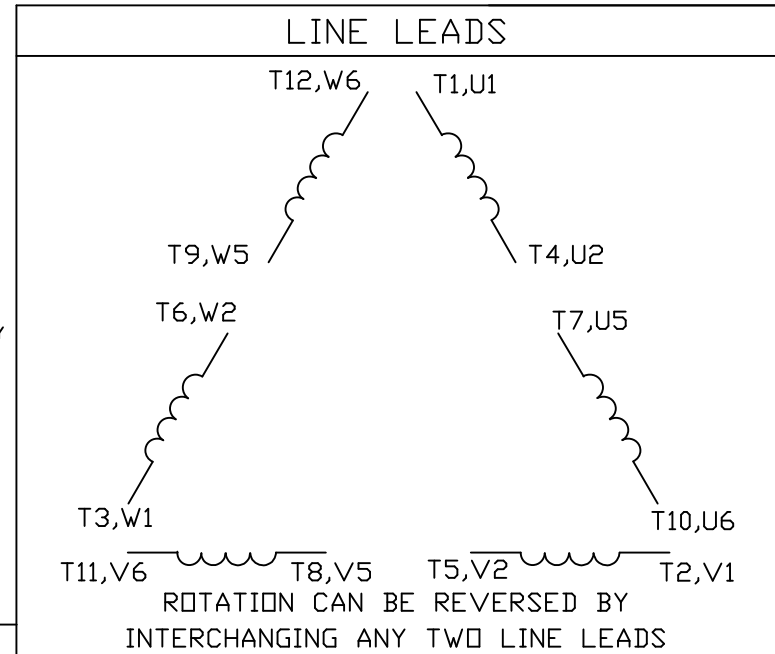
PART WINDING START USABLE ON 4 & 6 POLE MOTORS  
LOW VOLTAGE CONNECTION ONLY



PART WINDING STARTER TERMINALS

REFER TO THE PART WINDING STARTER INSTRUCTIONS FOR PROPER CONNECTION OF POWER LINES TO STARTER.

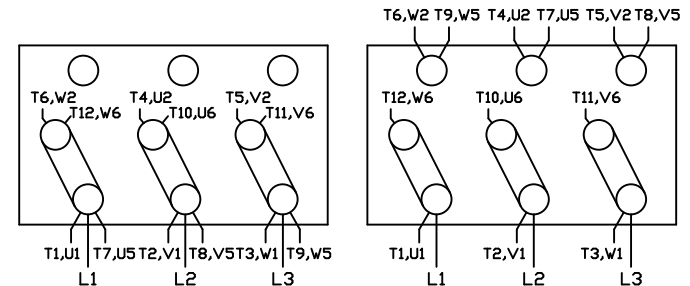
REFER TO THE CUTLER - HAMMER OR EQUIV. FOR PROPER SELECTION OF OVERLOAD HEATER COILS.



12 LEAD DELTA CONNECTION ACROSS THE LINE START (FOR Y START DELTA RUN, REMOVE THE JUMPERS)

LOW VOLTAGE (MUST BE REWIRED AS SHOWN)

HIGH VOLTAGE (FACTORY WIRED FOR HIGH VOLTAGE AS SHOWN)



TOLERANCES UNLESS SPECIFIED

DEC. INCHES

.X ±.1

.XX ±.01

.XXX ±.005

.XXXX ±.0005

ANG ±1/2\*



TITLE DELTA - WYE CONNECTION DIAGRAM IEC CAST IRON MOTORS

MAT'L.

FINISH

DRAWN CJW 08/28/02

CHK

APPD

SCALE 1=1

REF

FMF

PREV

NO. REVISION BY & DATE

RFP

DIST

CAD FILE 00417203ME

SIZE DRAWING NO.

A 004172-03ME

REV.

THIS DRAWING IN DESIGN AND DETAIL IS OUR PROPERTY AND MUST NOT BE USED EXCEPT IN CONNECTION WITH OUR WORK ALL RIGHTS OF DESIGN AND INVENTION ARE RESERVED THIS IS AN ELECTRONICALLY GENERATED DOCUMENT - DO NOT SCALE THIS PRINT



\*\* Subject to change without notice.

Data Sheet

Date: 29-06-2017  
 Customer: \_\_\_\_\_  
 Attention: \_\_\_\_\_  
 Submitted by: FAREEDA DUDEKULA



200LTC6538

Submittal

Data @ 460 V

Motor Load Data

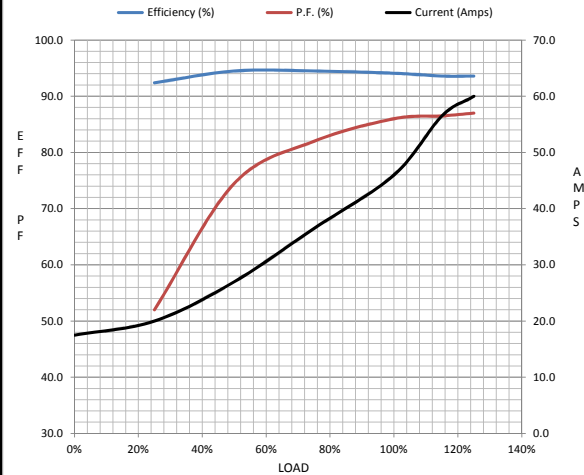
Load	0%	25%	50%	75%	100%	115%	125%	LR
Current (Amps)	17.5	20.0	27.0	36.5	46.0	56.5	60.0	290
Torque (ft-lb)	0.00	30.5	60.5	90.5	119	137	150	225
RPM	1800	1795	1790	1785	1780	1,775	1772	0
Efficiency (%)		92.4	94.5	94.5	94.1	93.6	93.6	
P.F. (%)	4.5	52.0	74.5	82.0	86.0	86.5	87.0	0.0

Motor Speed Data

	LR	Pull-Up	BD	Rated	Idle
Speed (RPM)	0	900	1625	1780	1800
Current (Amps)	290	260	190	46.0	17.5
Torque (ft-lb)	225	200	350	119	0.00

Information Block

HP	40.0			
Sync. RPM	1800			
Frame	324			
Enclosure	TEFC			
Construction	TFC			
Voltage	30/460#200/40V			
Frequency	60 Hz			
Design	A			
LR Code letter	G			
Service Factor	1.15			
Temp Rise @ FL	46 ° C			
Duty	CONT			
Ambient	40 ° C			
Elevation	1,000 feet			
Rotor/Shaft wk <sup>2</sup>	6.3 Lb-Ft <sup>2</sup>			
Ref Wdg	T16104005 NONE			
Sound Pressure @ 1M	57 dBA			
VFD Rating	CONSTANT 2:1			
Outline Dwg	B-SS622240			
Conn. Diag	004172.03ME			
Additional Specifications:				
0				
365THFS8036				
EQUIV CKT (OHMS / PHASE)				
R1	R2	X1	X2	Xm
0.0000	0.0000	0.0000	0.0000	0.0000



Speed -Torque Curve

